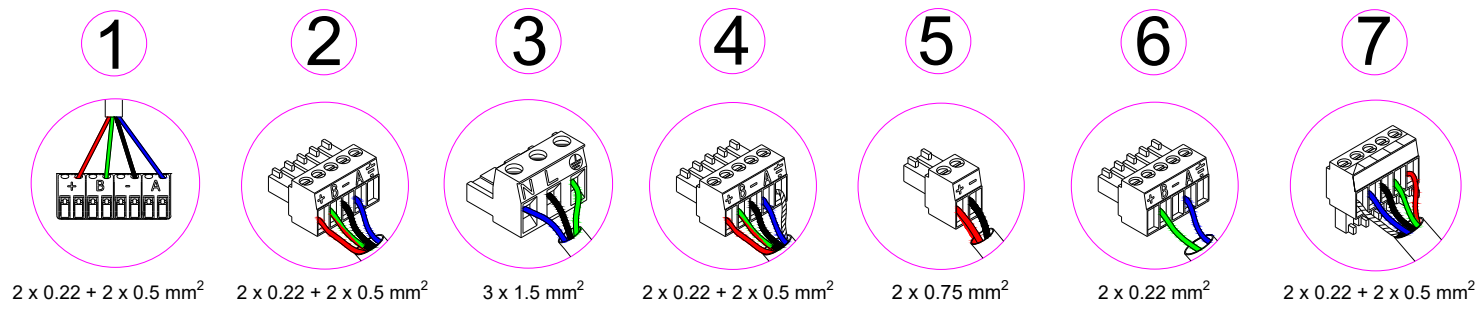
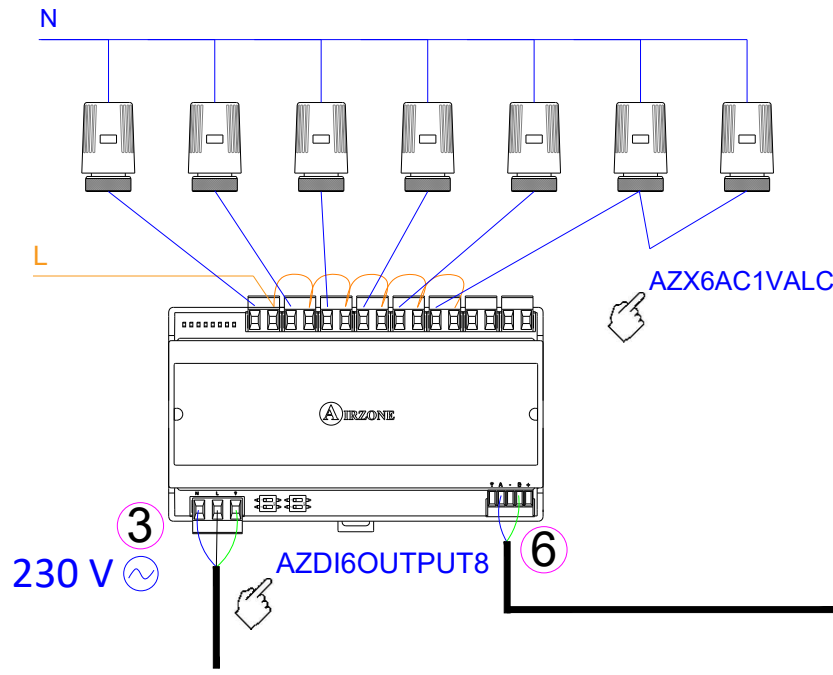


Termostatos / Thermostats



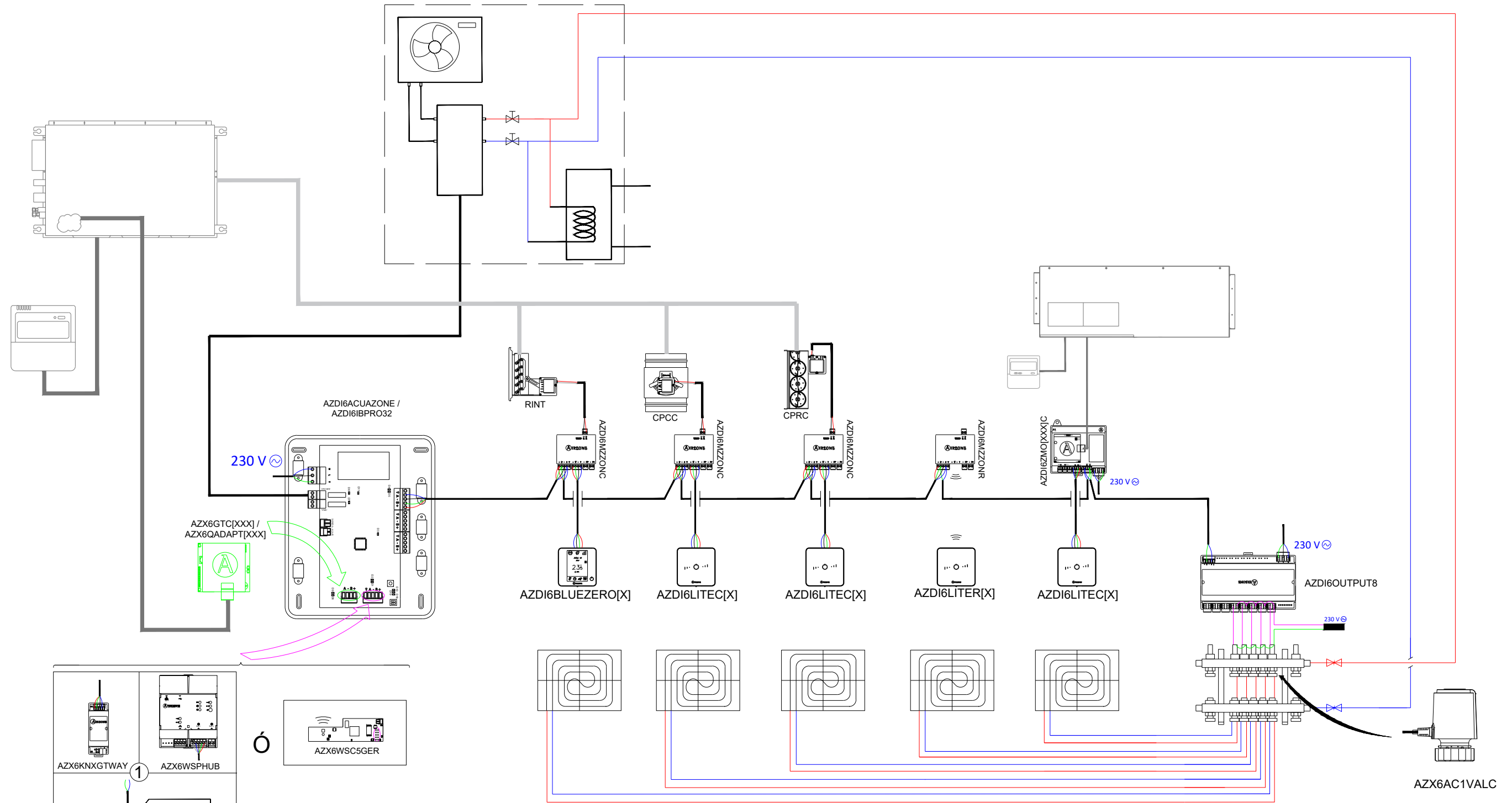
- A Azul | Blue | Azul | Bleu | Blu
- Negro | Black | Negro | Noir | Nero
- B Verde | Green | Verde | Vert | Verde
- + Rojo | Red | Vermelho | Rouge | Rosso

- N Neutro | Neutral | Neutro | Neutre | Neutro
- L Fase | Phase | Fase | Phase | Fase
- ⊕ Tierra | Ground | Terra | Terre | Terra



EQUIPO INVERTER DE CONDUCTOS ZONIFICADO E INDIVIDUAL CON ELEMENTO RADIANTE HASTA 32 ZONAS

ES



| | |
|--------------------------------|--|
| AZDI6ACUAZONE | CENTRAL DE SISTEMA AIRZONE ACUAZONE |
| AZDI6BLUEZEROC[X] | TERMOSTATO BLUEFACE ZERO [COLOR] AIRZONE |
| AZDI6THINK[R][X] | TERMOSTATO [RADIO] THINK [COLOR] AIRZONE |
| AZDI6LITE[C/R][X] | TERMOSTATO [CABLE/RADIO] LITE [COLOR] AIRZONE |
| AZDI6MZZON[C/R] | MÓDULO DE ZONA MOTOR [CABLE/RADIO] AIRZONE |
| AZX6KNXGTWAY | PASARELA DE INTEGRACIÓN KNX-AIRZONE |
| AZX6WSPHUB | WEBSERVER HUB AIRZONE CLOUD DUAL |
| AZX6WSC5GER | WEBSERVER AIRZONE CLOUD WIFI DUAL |
| AZX6GTC[XXX] / AZX6QADAPT[XXX] | PASARELA CONTROLADOR AIRZONE [MARCA] |
| AZDI6ZMO[XXX][C/R] | MÓDULO DE ZONA [CABLE/RADIO] AIRZONE UNIDAD INDIVIDUAL [MARCA] |
| AZDI6OUTPUT8 | MÓDULO DE CONTROL DE ELEMENTOS RADIANTES AIRZONE |
| AZX6AC1VALC | CABEZAL TERMOSTÁTICO CABLEADO AIRZONE VALC |



PLANO ESQUEMA DE INSTALACIÓN

PLANO 2/2

REALIZADOR : DEPARTAMENTO DE PROYECTOS ALTRA CORPORACIÓN

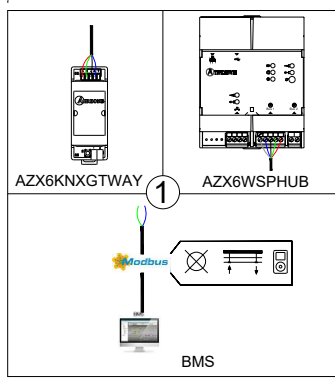
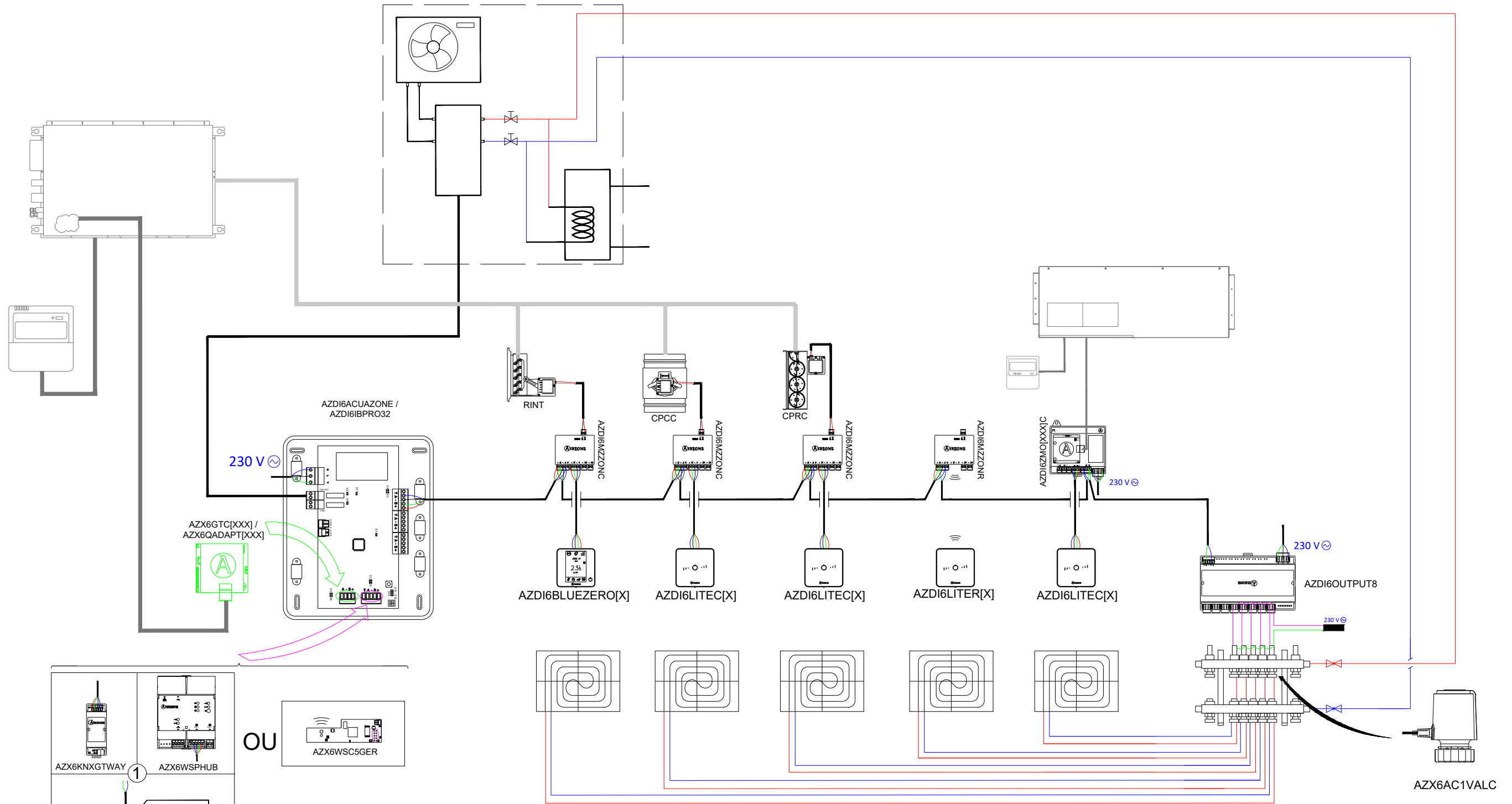
FECHA : 2021

TÍTULO : EQUIPO INVERTER DE CONDUCTOS ZONIFICADO E INDIVIDUAL CON ELEMENTO RADIANTE HASTA 32 ZONAS

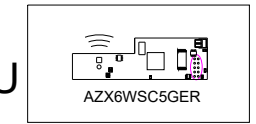
CONTACTO: gabinete.tecnico@airzone.es Teléfono: 900 400 445 www.airzonecontrol.com

UNIDADE INVERTER DE CONDUTAS ZONIFICADA E INDIVIDUAL COM ELEMENTO RADIANTE ATÉ 32 ZONAS

PT



OU

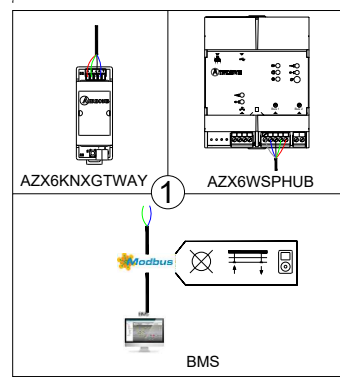
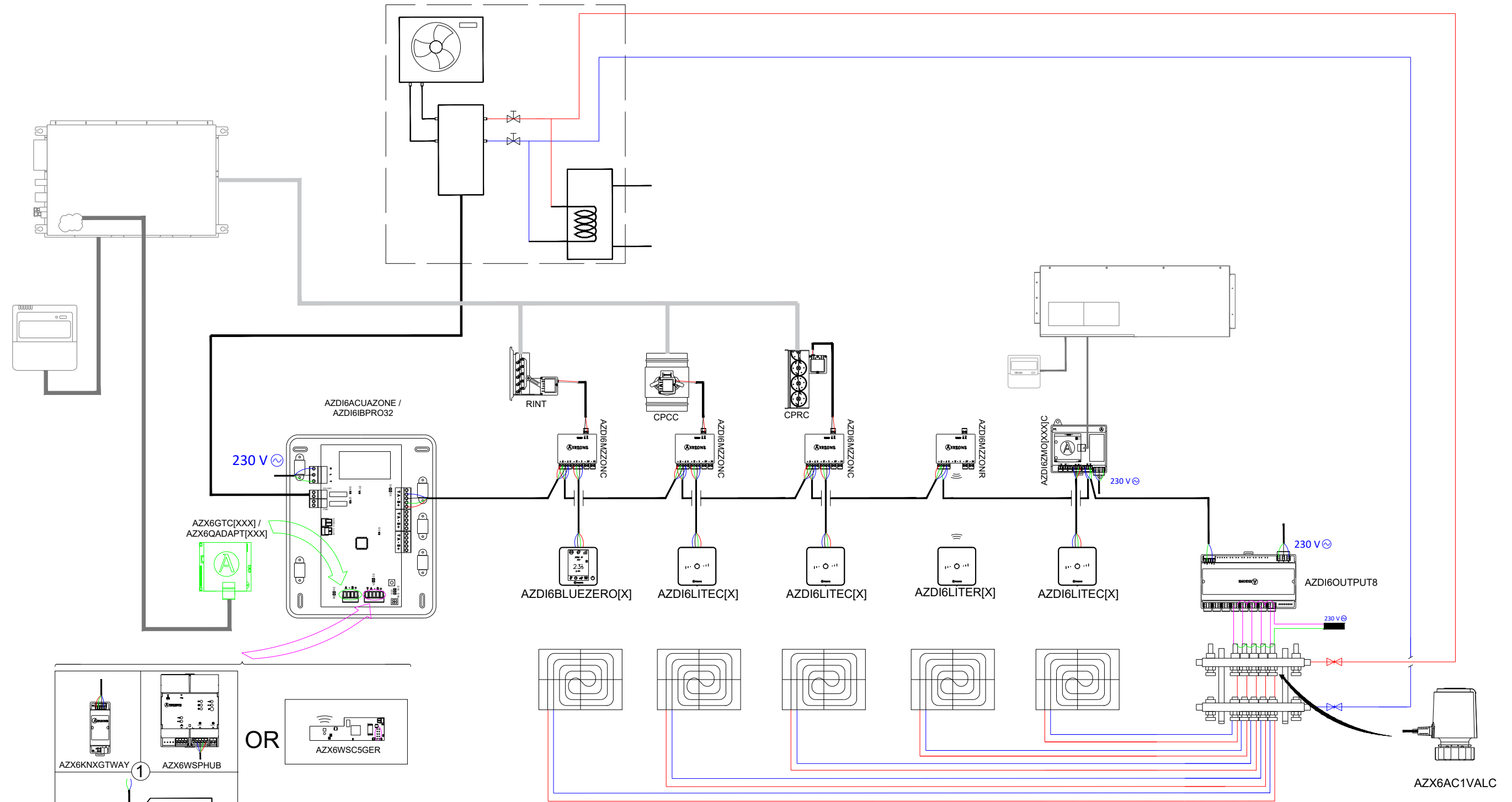


| | |
|--------------------------------|--|
| AZDI6ACUAZONE | CENTRAL DO SISTEMA AIRZONE ACUAZONE |
| AZDI6BLUEZEROC[X] | TERMOSTATO BLUEFACE ZERO [COR] AIRZONE |
| AZDI6THINK[R][X] | TERMOSTATO [RADIO] THINK [COR] AIRZONE |
| AZDI6LITE[C/R][X] | TERMOSTATO [CABO/RADIO] LITE [COR] AIRZONE |
| AZDI6MZZON[C/R] | MÓDULO DE ZONA MOTOR [CABO/RADIO] AIRZONE |
| AZX6KNXGTWAY | GATEWAY DE INTEGRAÇÃO KNX-AIRZONE |
| AZX6WSPHUB | WEBSERVER HUB AIRZONE CLOUD DUAL |
| AZX6WSC5GER | WEBSERVER AIRZONE CLOUD WIFI DUAL |
| AZX6GTC[XXX] / AZX6QADAPT[XXX] | GATEWAY CONTROLADOR AIRZONE [MARCA] |
| AZDI6ZMO[XXX][C/R] | MÓDULO UNIDADE INDIVIDUAL [CABO/RADIO] AIRZONE [MARCA] |
| AZDI6OUTPUT8 | MÓDULO DE CONTROLO DE ELEMENTOS RADIANTES AIRZONE |
| AZX6AC1VALC | CABEÇA TERMOSTÁTICA POR CABO AIRZONE VALC |

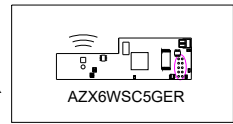


ZONED + INDIVIDUAL (DUCTED) INVERTER UNIT WITH RADIANT HEATING-UP TO 32 ZONES

EN



OR



| | |
|--------------------------------|--|
| AZDI6ACUAZONE | AIRZONE ACUAZONE MAIN CONTROL BOARD |
| AZDI6BLUEZEROC[X] | AIRZONE BLUEFACE ZERO [COLOUR] THERMOSTAT |
| AZDI6THINK[R][X] | AIRZONE THINK [COLOUR] THERMOSTAT [WIRELESS] |
| AZDI6LITE[C/R][X] | AIRZONE LITE [COLOUR] THERMOSTAT [WIRED/WIRELESS] |
| AZDI6MZZON[C/R] | AIRZONE ACTUATOR ZONE MODULE [WIRED/WIRELESS] |
| AZX6KNXGTWAY | KNX-AIRZONE INTEGRATION GATEWAY |
| AZX6WSPHUB | WEBSERVER HUB AIRZONE CLOUD DUAL |
| AZX6WSC5GER | WEBSERVER AIRZONE CLOUD WIFI DUAL |
| AZX6GTC[XXX] / AZX6QADAPT[XXX] | AIRZONE [MANUFACTURER] CONTROLLER GATEWAY |
| AZDI6ZMO[XXX][C/R] | AIRZONE [MANUFACTURER] INDIVIDUAL UNIT MODULE [WIRED/WIRELESS] |
| AZDI6OUTPUT8 | AIRZONE CONTROL MODULE OF RADIANT ELEMENTS |
| AZX6AC1VALC | AIRZONE WIRED THERMOSTATIC VALVE ACTUATOR VALC |



PLAN WIRING DIAGRAM

PLAN 2/2

DEVELOPER : PROJECT DEPARTMENT AIRZONE

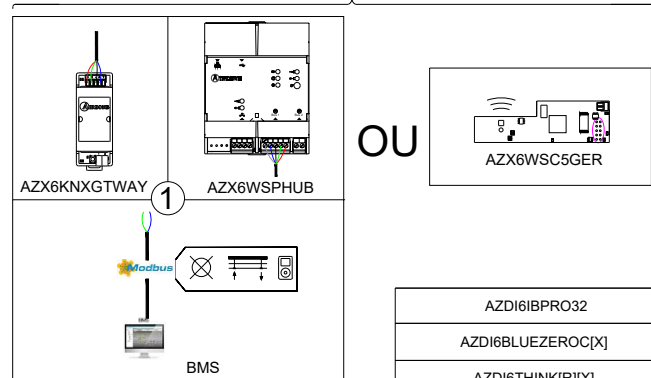
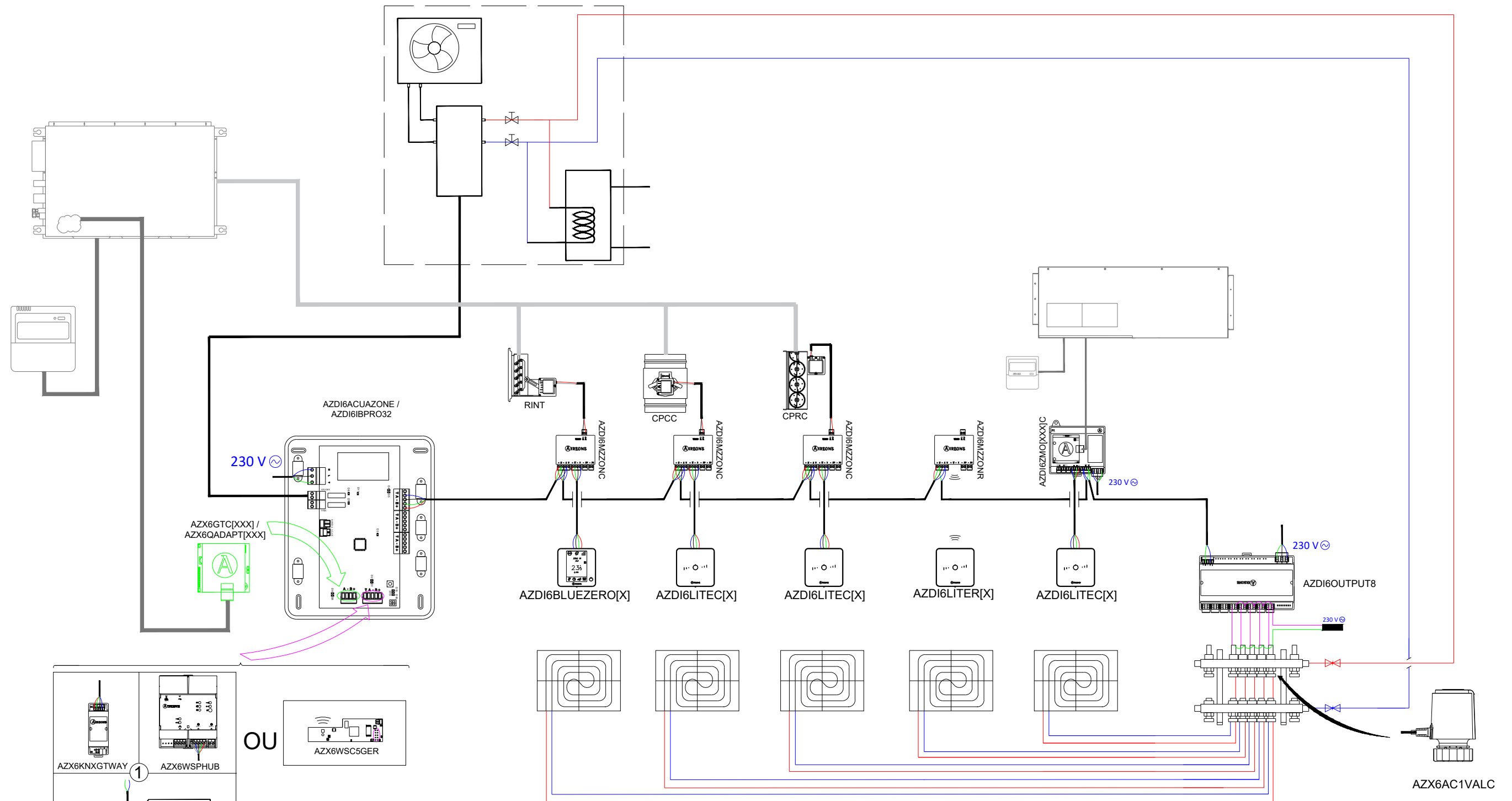
DATE : 2021

FILE : ZONED + INDIVIDUAL (DUCTED) INVERTER UNIT WITH RADIANT HEATING-UP TO 32 ZONES

CONTACT: projects@airzonecontrol.com Teléfono: 900 400 445 www.airzonecontrol.com

UNITÉ GAINABLE INVERTER AVEC RÉGULATION MULTIZONE ET CONTRÔLE D'UNITÉS INDIVIDUELLES AVEC ÉLÉMENTS RAYONNANTS (CHAUD-FROID) JUSQU'À 32 ZONES (INNOBUS PRO 32)

FR



| | |
|--------------------------------|--|
| AZDI6IBPRO32 | PLATINE CENTRALE AIRZONE DU SYSTÈME INNOBUS PRO32 |
| AZDI6BLUEZEROC[X] | THERMOSTAT [COLEUR] AIRZONE BLUEFACE ZERO |
| AZDI6THINK[R][X] | THERMOSTAT [COLEUR] AIRZONE THINK [RADIO] |
| AZDI6LITE[C/R][X] | THERMOSTAT [COLEUR] AIRZONE LITE [FILAIRE/RADIO] |
| AZDI6MZZON[C/R] | MODULE LOCAL AIRZONE [FILAIRE/RADIO] |
| AZX6KNXGTWAY | PASSERELLE D'INTEGRATION KNX-AIRZONE |
| AZX6WSPHUB | WEBSERVER HUB AIRZONE CLOUD DUAL |
| AZX6WSC5GER | WEBSERVER AIRZONE CLOUD WIFI DUAL |
| AZX6GTC[XXX] / AZX6QADAPT[XXX] | PASSERELLE CONTROLEUR AIRZONE [MARQUE] |
| AZDI6ZMO[XXX][C/R] | MODULE LOCAL AIRZONE [MARQUE] UNITE INDIVIDUELLE [FILAIRE/RADIO] |
| AZDI6OUTPUT8 | MODULE DE CONTRÔLE AIRZONE D'ÉLÉMENTS RAYONNANTS |
| AZX6AC1VALC | MOTEUR ÉLECTROTHERMIQUE FILAIRE AIRZONE VALC |

AIRZONE

PLAN SCHEMA D'INSTALLATION

PLAN
2/2

DESSINATEUR : DÉPARTEMENT PROJETS AIRZONE

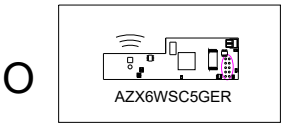
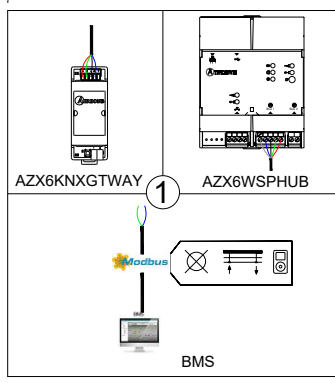
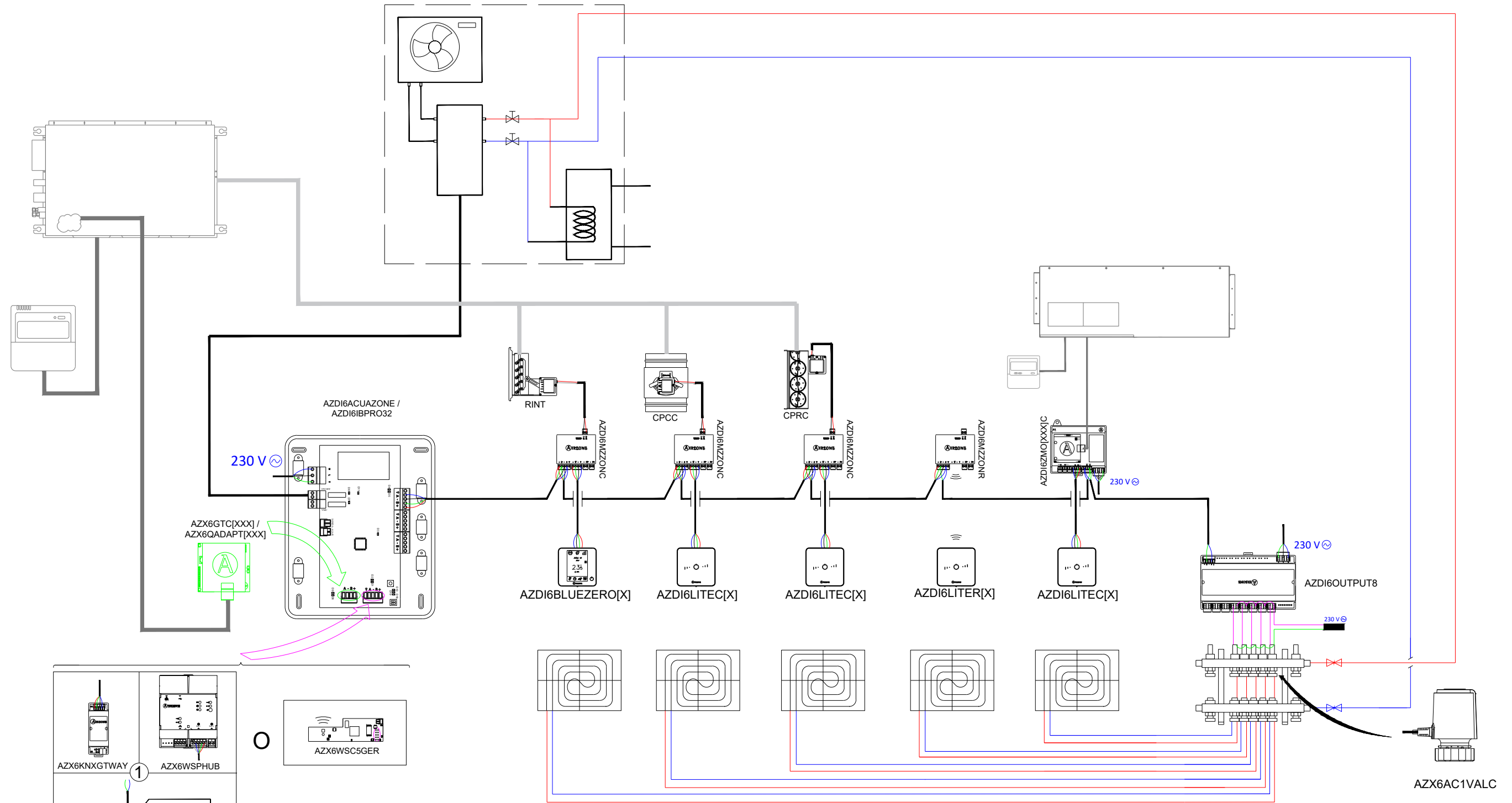
DATE : 2021

TITRE : UNITÉ INVERTER MULTIZONE ET CONTRÔLE D'UNITÉS INDIVIDUELLES AVEC ELEMENTS RAYONNANTS JUSQU'À 32Z

CONTACT: projets@airzonefrance.fr Téléphone: 01 82 88 51 49 www.airzonecontrol.com

UNITÀ AD ESPANSIONE DIRETTA CANALIZZATA E UNITÀ INDIVIDUALI CON IMPIANTO RADIANTE FINO A 32 ZONE

IT



| | |
|---------------------------------|--|
| AZDI6ACUAZONE | SCHEDA CENTRALE AIRZONE ACUAZONE |
| AZDI6BLUEZEROC[X] | TERMOSTATO [COLORE] AIRZONE BLUEFACE ZERO |
| AZDI6THINK[R][X] | TERMOSTATO [RADIO] THINK [COLORE] AIRZONE |
| AZDI6LITE[C/R][X] | TERMOSTATO [CAVO/RADIO] LITE [COLORE] AIRZONE |
| AZDI6MZZON[C/R] | MODULI DI ZONA AIRZONE MOTORIZZAZIONE [CAVO/RADIO] |
| AZX6KNXGTWAY | INTERFACCIA DI INTEGRAZIONE KNX-AIRZONE |
| AZX6WSPHUB | WEBSERVER HUB AIRZONE CLOUD DUAL |
| AZX6WSC5GER | WEBSERVER AIRZONE CLOUD WIFI DUAL |
| AZX6GTC[XXX] / AZX6QADAPT3[XXX] | INTERFACCIA DI CONTROLLO AIRZONE [MARCHIO] |
| AZDI6ZMO[XXX][C/R] | MODULO DI ZONA AIRZONE U.I. SINGOLA [MARCHIO] [CAVO/RADIO] |
| AZDI6OUTPUT8 | SCHEDA CONTROLLO RISCALDAMENTO AIRZONE |
| AZX6AC1VALC | TESTINE ELETTROTERMICHE CABLATA AIRZONE VALC |



PIANO SCHEMA D'INSTALLAZIONE

PIANO 2/2

DISEGNATO DA : UFFICIO PROGETTI ALTRA CORPORACIÓN

DATA : 2021

TITOLO : UNITÀ AD ESPANSIONE DIRETTA CANALIZZATE ZONIFICATE E INDIVIDUALI CON IMPIANTO RADIANTE FINO A 32 ZONE

CONTATTO: progetti@airzoneitalia.it Telefono: 02568 14756 www.airzoneitalia.it